



Europäisches Patentamt  
European Patent Office  
Office européen des brevets



Publication number: **0 493 892 A3**

**EUROPEAN PATENT APPLICATION**

Application number: **91311338.7**

Int. Cl.<sup>5</sup>: **H04L 12/28, H04L 9/32**

Date of filing: **05.12.91**

Priority: **31.12.90 US 636301**

Date of publication of application:  
**08.07.92 Bulletin 92/28**

Designated Contracting States:  
**DE FR GB IT**

Date of deferred publication of the search report:  
**21.09.94 Bulletin 94/38**

Applicant: **AT&T Corp.**  
**32 Avenue of the Americas**  
**New York, NY 10013-2412 (US)**

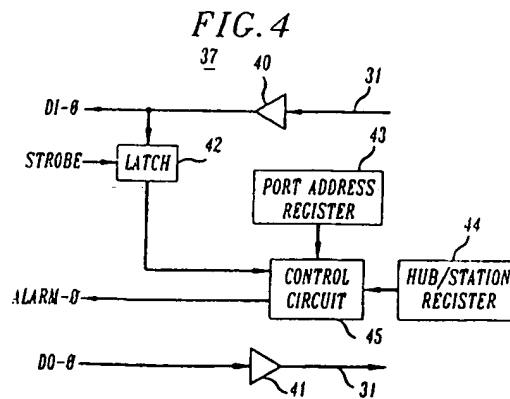
Inventor: **Aranguren, William L.**  
**31 Sharon Drive**  
**Wayside, New Jersey 07712 (US)**  
Inventor: **Bantel, Richard G.**  
**506 Palmer Avenue**  
**West Allenhurst, New Jersey 07711 (US)**  
Inventor: **Howard, Jonathan L.**  
**38 Highland Avenue**  
**Monmouth Beach, New Jersey 07750 (US)**  
Inventor: **Hunt, Carlton J.**  
**9 Deck Court**  
**Howell, New Jersey 07731 (US)**

Representative: **Watts, Christopher Malcolm**  
**Kelway, Dr. et al**  
**AT&T (UK) LTD.**  
**AT&T Intellectual Property Division**  
**5 Mornington Road**  
**Woodford Green Essex IG8 OTU (GB)**

**Intrusion detection apparatus for local area network.**

Intrusion detection is afforded for local area networks by including one or more intelligent hub units connected to the stations in the network. The intelligent hub unit maintains a list of codes identifying those stations and units connected locally to ports of the intelligent hub unit. When a station initiates a message on the network, a source identifier code unique to the sending station is incorporated in the message as specified by the standard access protocol. At the intelligent hub unit, the source identifier code is recovered from the received message and the port at which the message was received is identified. The received source identifier code is compared with the particular entry in the stored list of codes corresponding to the identified port. If the comparisons fail to generate a matching condition between the source identifier and the particular entry

in the list of codes, then the intelligent hub unit generates an alarm indicative of an intrusion on the network.



**EP 0 493 892 A3**



DOCUMENTS CONSIDERED TO BE RELEVANT			EP 91311338.7
Category	Citation of document with indication, where appropriate, of relevant passages	Relevant to claim	CLASSIFICATION OF THE APPLICATION (Int. Cl.5)
A	PATENT ABSTRACTS OF JAPAN, unexamined applications, E field, vol. 12, no. 489, December 21, 1988 THE PATENT OFFICE JAPANESE GOVERNMENT page 121 E 696; & JP-A-63-204 839 (OMRON TATEISI ELECTRONICS) --	1,4	H 04 L 12/28 H 04 L 9/32
A	<u>US - A - 4 964 163</u> (BERRY) * Column 1, lines 3-36 * --	1,4	
D,A	<u>US - A - 4 674 085</u> (ARANGUREN et al.) * Column 4, line 34 - column 9, line 8; figs. 1-5 * --	1,4	
A	<u>EP - A - 0 222 669</u> (DIGITAL EQUIPEMENT CORPORATION) * Abstract; page 1, line 1 - page 6, line 25; page 7, line 29 - page 9, line 26; fig. 1 * -----	1,4	
			TECHNICAL FIELDS SEARCHED (Int. Cl.5)
			H 04 L H 04 J
The present search report has been drawn up for all claims			
Place of search VIENNA	Date of completion of the search 27-07-1994	Examiner HAJOS	
CATEGORY OF CITED DOCUMENTS		T : theory or principle underlying the invention E : earlier patent document, but published on, or after the filing date D : document cited in the application L : document cited for other reasons ----- & : member of the same patent family, corresponding document	
X : particularly relevant if taken alone Y : particularly relevant if combined with another document of the same category A : technological background O : non-written disclosure P : intermediate document			

X(1) P(1) M(1) L(1) O(1) S(1) (1/04/91)